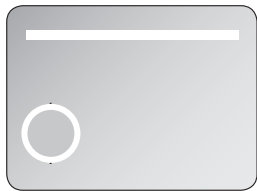
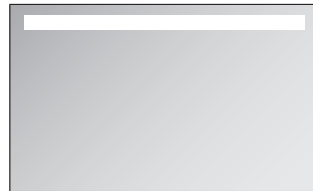


# BALTECO

BATHROOMS



LY



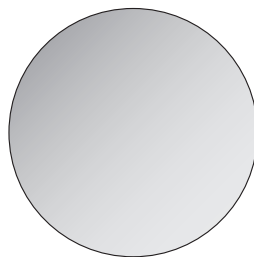
DO



AQ



ST



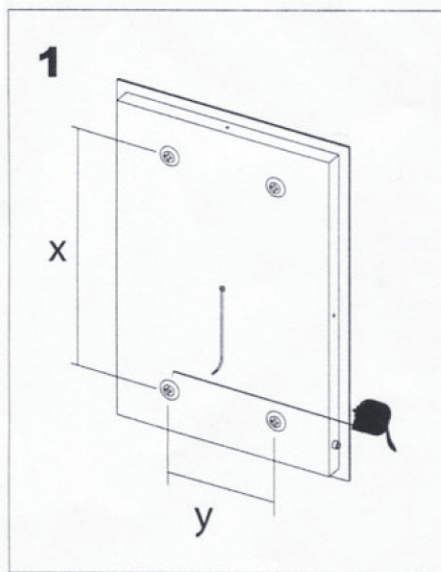
EC



VE

# MIRRORS

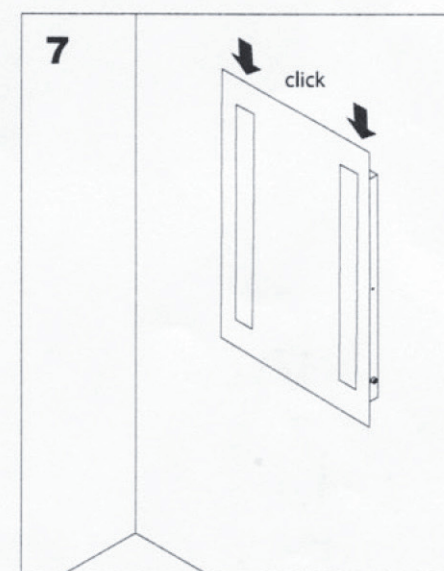
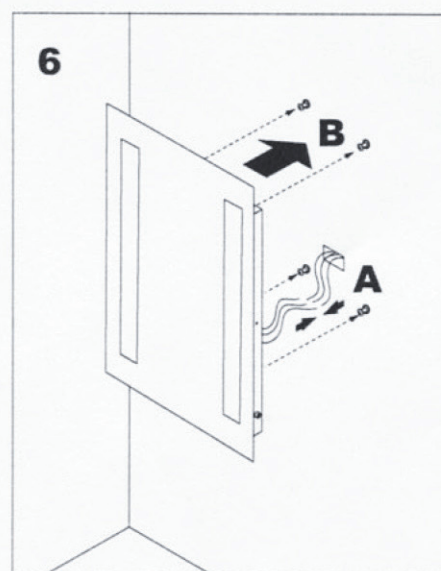
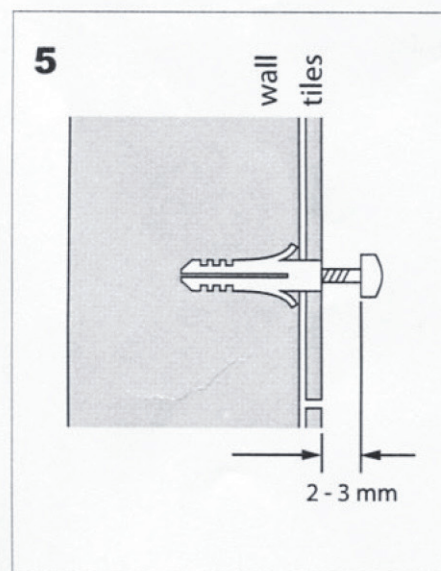
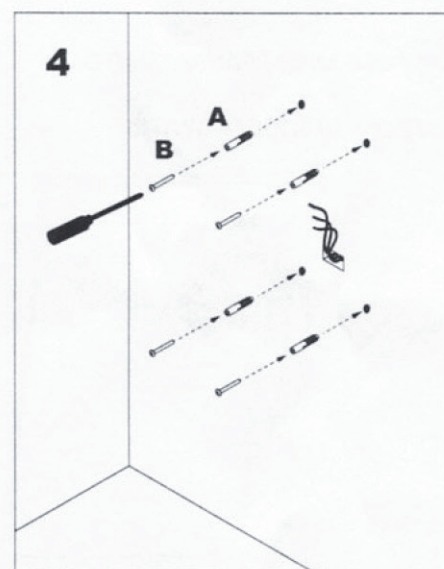
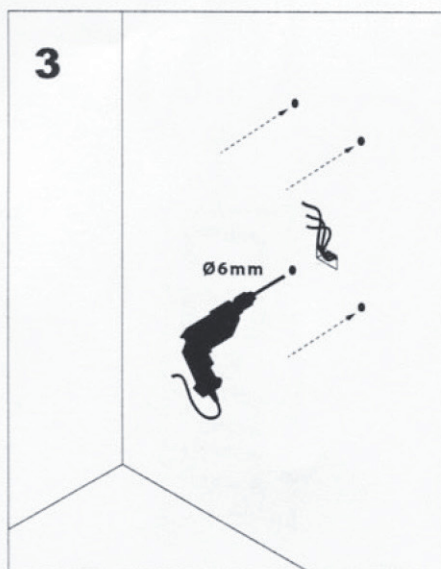
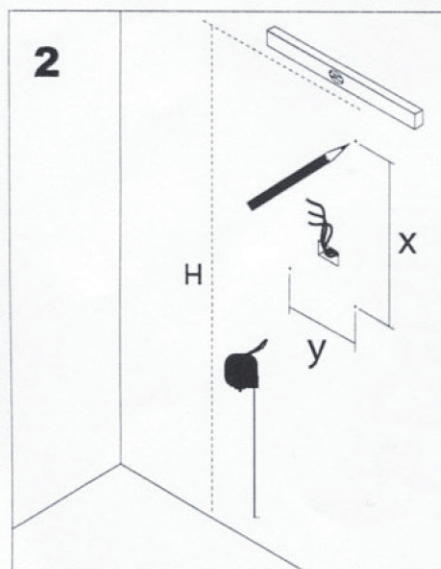
SERIES: VE; AQ; LY; ST; EC; DO



Model name	X (mm)	Y (mm)
AQ 60	590	340
AQ 120	400	900
LY 60	590	390
LY 100	460	760
VE 120	520	1020

### INFRARED MIRROR LIGHT ON/OFF SENSOR

- Moving Your hand in proximity of the sensor turns the mirror light ON and OFF.
- When turning ON the lights, if You keep Your hand in front of the sensor, after a few seconds, the LED intensity will change. Once the desired intensity is reached move Your hand away from the sensor and the mirror will save that particular intensity.
- The next time the mirror is turned ON it will return to the programmed intensity.
- Please note that the mirror must be installed not less than 15 cm from the wall of the bath furniture column. Otherwise the sensor will sense the object and will not function properly.



**BALTECO**  
BATHROOMS

Balteco AS  
Jälgimäe, Harjumaa 76401, Estonia  
Phone: +372 6718 237, Fax: +372 6718 236  
[www.balteco.com](http://www.balteco.com)