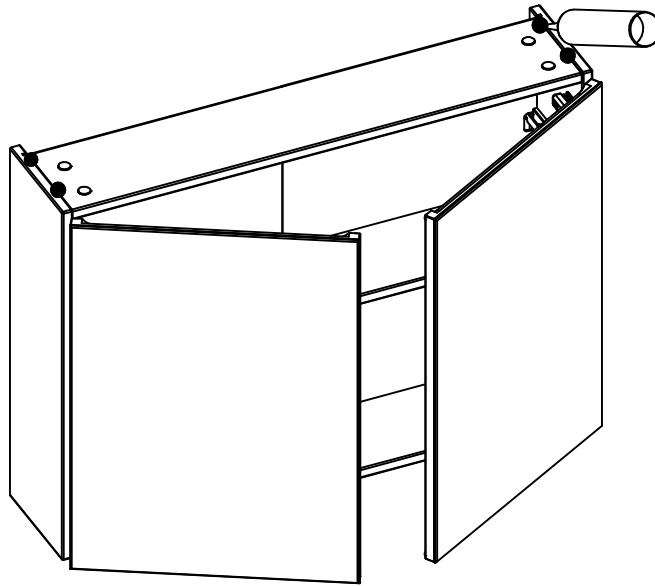
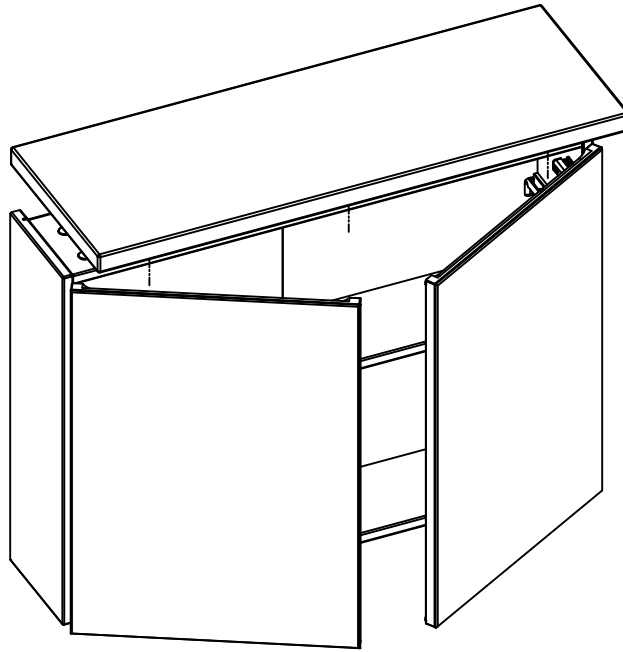


CUPBOARD AND LIGHTPANEL CONNECTION

1



2



3

