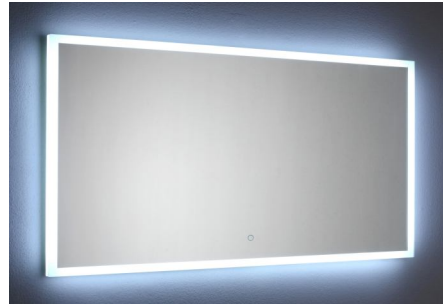
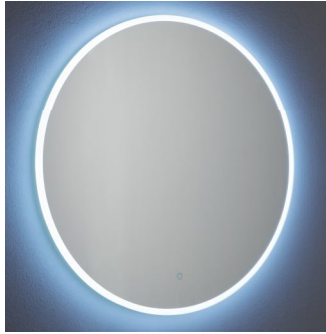


# Mirror Installation Instructions

Please read these instructions first. We reserve the right to change product specifications due to possible technical improvements.



1. Identify a position which does not fall into "Zone 1" as shown.



Refers to the area above the bath or the shower, up to a height of 2.25 metres. The minimum rating required here is IPX5.



Covers an area of 0.6 metres wide immediately next to, and all around "Zone 1". Washbasins should also be treated as "Zone 2". The minimum rating required here is IPX4.



Has no special requirements, unless water jets are likely to be used for cleaning purposes.

# Mirror Installation Instructions

## Warnings and precautions for use regarding the electrical connections.

Our products must be used indoors only. The electricity connection and possible subsequent electric interventions must only be done by a qualified electrician who will operate in accordance with the country instructions and current regulations in terms of electricity.

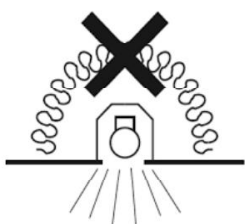
Should the external flexible cable or cord of this appliance be damaged, it shall be exclusively replaced by the manufacturer or his service center Agent or a similar qualified person in order to avoid any hazard.

## Sensor switch instructions:

Mirror with ON/OFF touch sensor switch.

Touch the illuminated button to turn on the backlit mirror.

Touch sensor for about 3 seconds in order to change from warm light to colder light and vice-versa.

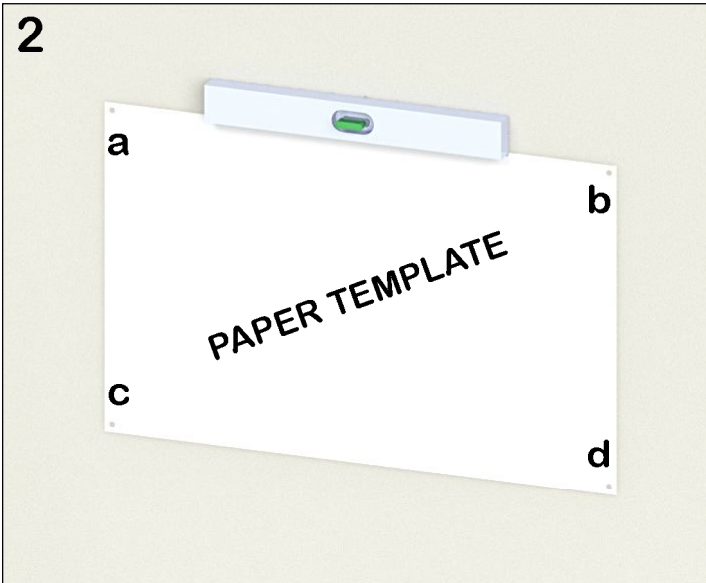


Appliance not suitable for being covered with thermal insulation material.



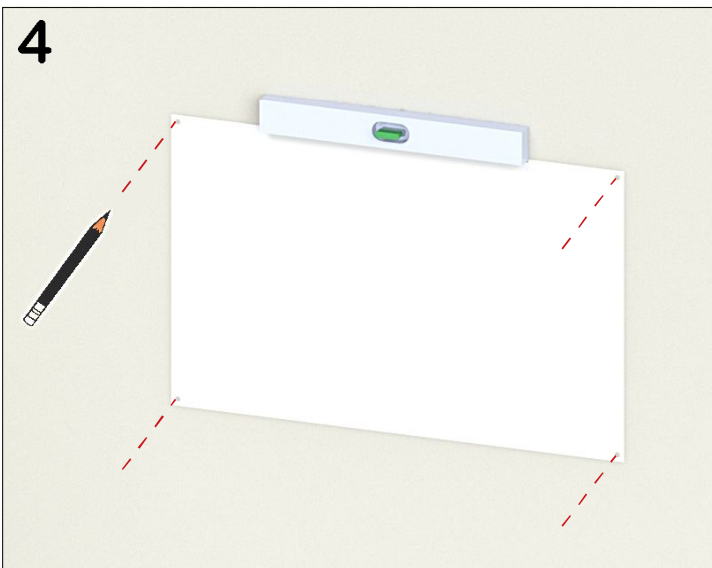
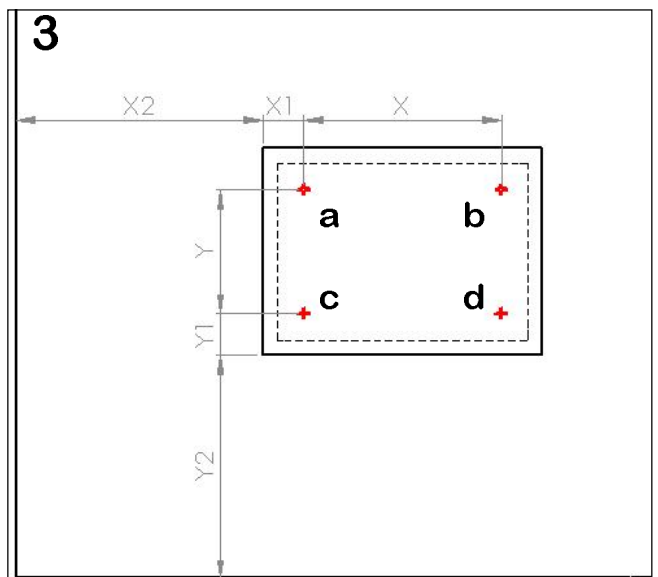
Appliance for indoor use only.

## Mirror Installation Instructions



- 2.** In order to facilitate installation we have included a paper template to drill the holes in the wall.

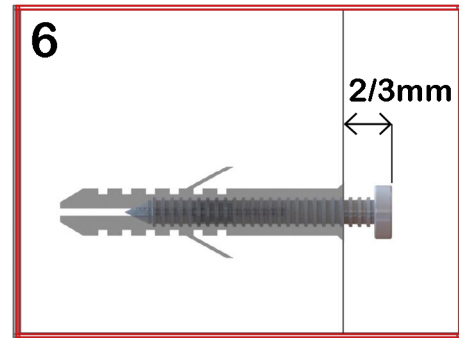
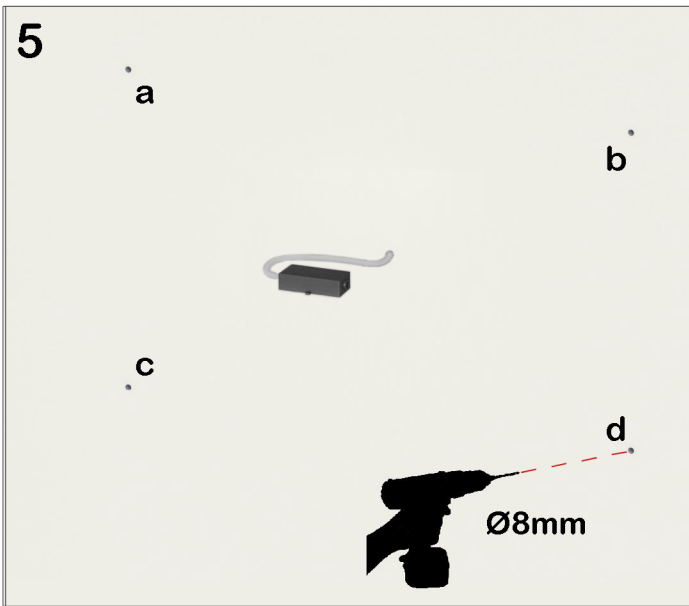
- 3.** Unfold the paper template and apply on the mirror back to ensure that the holes match up.



- 4.** Tape the paper template to the wall taking into consideration the position of the mounting holes and the mirror edge. With a level, position the template so that it is perfectly level.

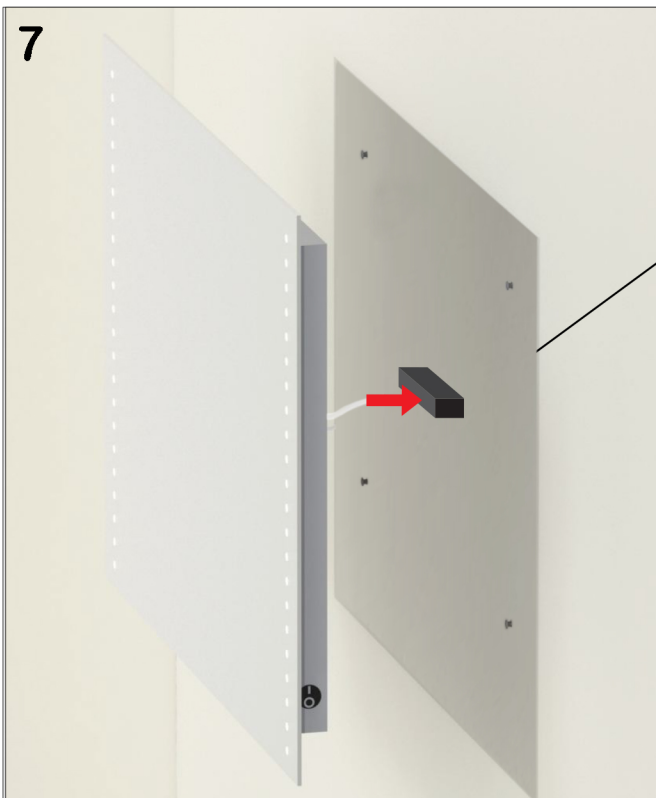
# Mirror Installation Instructions

**5.** Ensure that there are no water pipes or electrical wiring behind the fixing points.

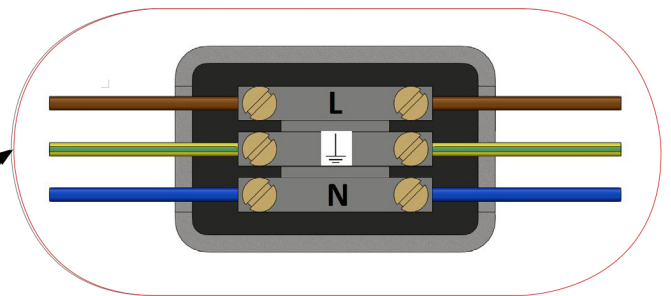


**a-b-c-d**

**6.** Drill and insert the screw anchors suited to the type of wall to which the mirror will be fixed (only screws in the case of wood studs).



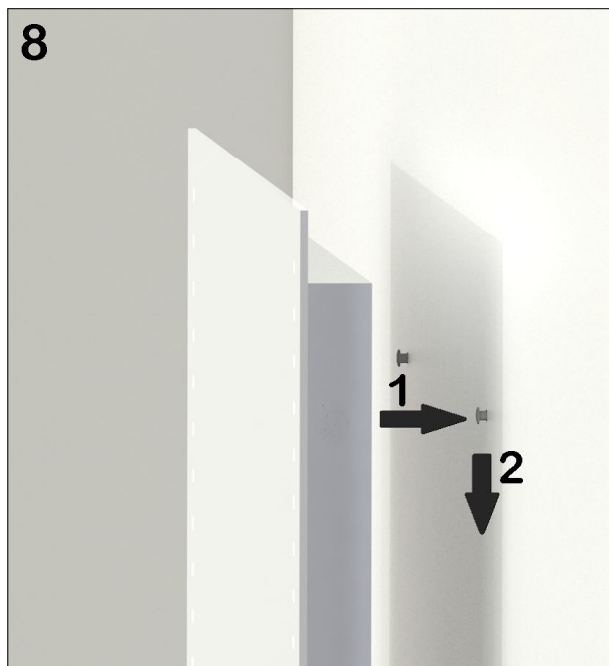
**WIRING DIAGRAM**



**7.** Connect the mirror wiring in an IP44 approved connector box (not included) which can be inserted into the wall anywhere behind the cabinet mirror.

# Mirror Installation Instructions

**8.** Hang the mirror.



# Mirror Installation Instructions

## **Operating Instructions:**

- The demisting function is ON only when the mirror is illuminated.

## **Product Care:**

- Do not use abrasives or solvents when cleaning the mirror.
- Clean off all the water as soon as possible using a soft, damp cloth so that to avoid stains on the surface.

## **Product Life :**

At the end of its useful life, entrust the unit to the local waste disposal company.